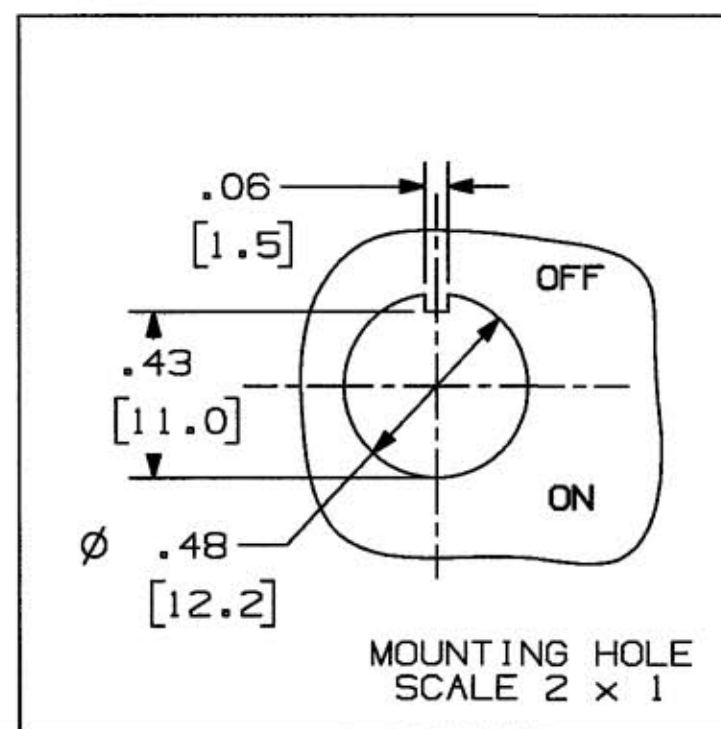
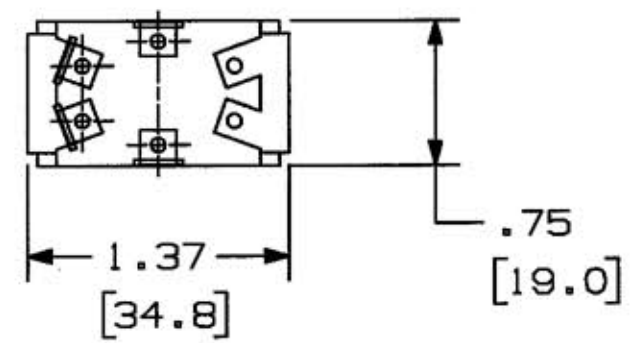
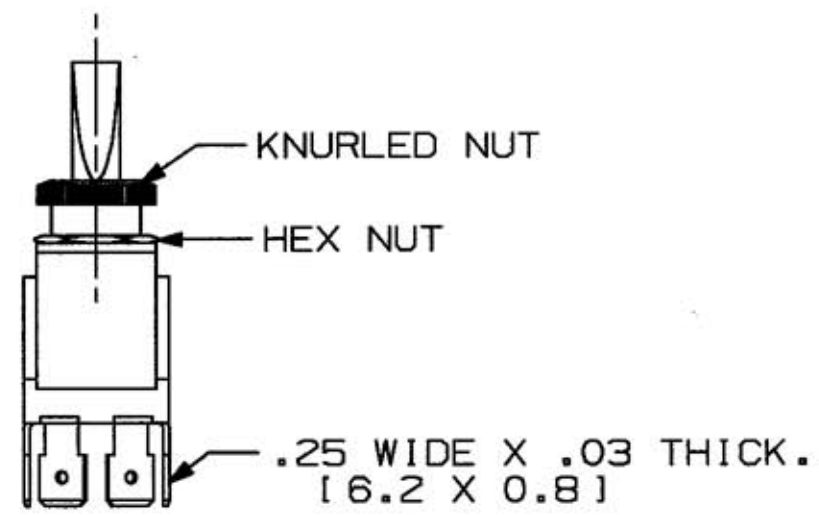
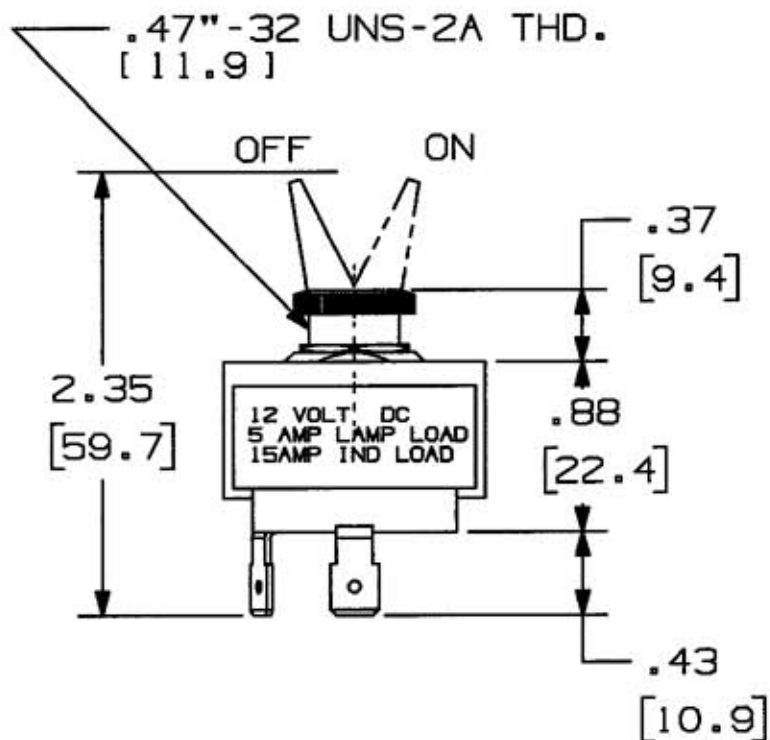


M-10278 1



NOTE  
 1. DIMENSIONS IN INCHES [MILLIMETERS].  
 2. SUPPLIED ASSEMBLED WITH:  
 (1) .47"-32 THD. KNURLED NUT (BRASS, BLACK OXIDE).  
 (1) .47"-32 THD. HEX NUT (BRASS, NICKEL PLATE)

CATALOG NO. M21SP

LIST OF PARTS

DESCRIPTION	MATERIAL	FINISH
REF. D53434		

DIMENSION SHEET FOR CAT. NO.

REPAIRABLE  NON-REPAIRABLE

B

M-10278

1

1	RELEASED PER DCN13301 GPK	JPP	10/20/06
SYM	REVISIONS	APP	DATE

THE DESIGN AND DIMENSIONS OF THE PRODUCT SHOWN ON THIS DRAWING ARE SUBJECT TO CHANGE WITHOUT NOTICE

TITLE MARINE SWITCH  
 DPST ON/OFF  
 PLASTIC STEM

TOLERANCES UNLESS OTHERWISE SPECIFIED FRACTIONS ± 1/64 DECIMALS ± .005 ANGLES ± 2°	WIRING DEVICE-KELLEMS HUBBELL INCORPORATED BRIDGEPORT, CT	
	DR. BY GPK	APP. BY JPP
	TR. BY	SCALE 1=1
	CHK'D BY TCM	DATE 10/20/06